

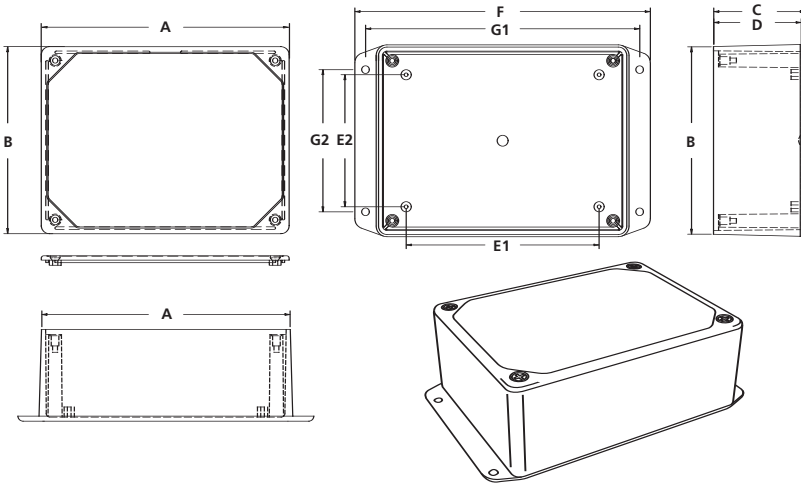


Order On Line
www.polycase.com
sales@polycase.com
800-248-1233
 Fax: 440-934-0088

PLASTIC ENCLOSURES FOR ELECTRONICS

DC Product Features

Material	Design	Additional Info
<ul style="list-style-type: none"> Material: Flame retardant ABS plastic Flame Rating: UL's best flame rating of 94-5VA (DC-34, 44, 46 & 47 are UL94V-0 with recessed cover option) Surface: Textured finish 	<ul style="list-style-type: none"> PC Board Mounting: Four PC board mounting bosses. DC-58 & DC-96 have eight mounting bosses. DC-85 has eight mounting bosses in the base plus eight in the case Mounting Flanges: Available with or without mounting flanges Closure: Screw into threaded brass inserts for cover on/cover off applications Cover: Two styles – area on cover may be flush, textured or recessed, smooth for graphic overlays or membrane keypads. Recessed covers are also available in clear* Gasket: DC-58 & 85 have an optional rubber gasket for moisture and dust resistance 	<ul style="list-style-type: none"> Colors: Black, bone or gray Insert mold capability allows for custom molding without expensive tooling * Clear covers may require a minimum order quantity



Catalog Number	Length A	Width B	Height C	Inside Depth D	PCB Bosses E1 E2	Mtg. Boss Height	Mtg. Flange Length F	Mtg. Flange Holes G1 G2
DC-34P	4.610	3.100	1.770	1.670	3.250 X 1.750	0.250		
DC-34F	4.610	3.100	1.770	1.670	3.250 X 1.750	0.250	5.770	5.250 X 2.250
DC-44P	4.620	4.620	2.255	2.155	3.250 X 3.250	0.250		
DC-44F	4.620	4.620	2.255	2.155	3.250 X 3.250	0.250	5.775	5.250 X 3.500
DC-46P	6.125	4.620	2.255	2.155	4.750 X 3.250	0.250		
DC-46F	6.125	4.620	2.255	2.155	4.750 X 3.250	0.250	7.285	6.750 X 3.500
DC-47P	7.620	4.620	2.255	2.155	6.250 X 3.250	0.250		
DC-47F	7.620	4.620	2.255	2.155	6.250 X 3.250	0.250	8.790	8.250 X 3.500
DC-58P	8.250	5.000	3.000	2.890	6.750 X 3.500	0.250		
DC-58F	8.250	5.000	3.000	2.890	6.750 X 3.500	0.250	9.375	8.875 X 3.375
DC-85P	8.250	5.000	4.330	4.080	6.750 X 3.500	0.250		
DC-85F	8.250	5.000	4.330	4.080	6.750 X 3.500	0.250	9.375	8.875 X 3.375
NEW DC-96P	10.000	6.000	3.000	2.895	8.500 X 4.500	0.250		
NEW DC-96F	10.000	6.000	3.000	2.895	8.500 X 4.500	0.250	11.400	10.750 X 4.000

Dimensions are nominal and in inches
 Mounting boss screws are available for purchase (4-24 x 1/4 inch thread forming screw) Bag of 100, \$2.50

Enclosure includes case, cover and screws for enclosure assembly
WHEN ORDERING, PLEASE SPECIFY:

- Catalog Number** – With or without mounting flanges
- Cover Style** – Flush, textured or recessed, smooth area. For a clear cover, ask your Customer Service Representative.
- Mounting Boss Screws** – Specify Yes or No
- Color** – Black, Bone or Gray